



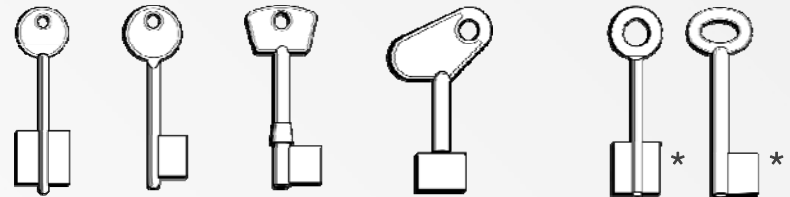
OMNIA

OMNIA



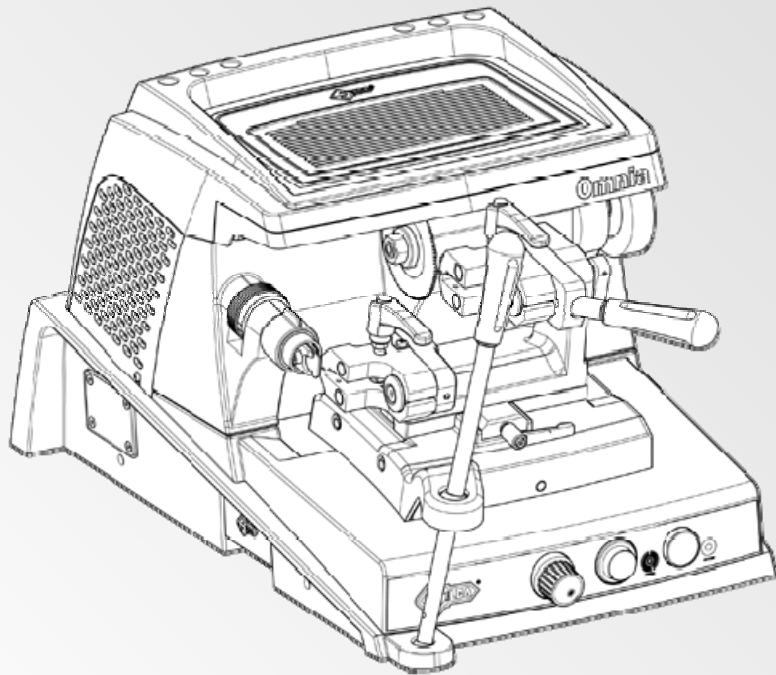
Omnia epitomizes Silca's entire experience in duplicating bit and double bit (male and female), pump and central stop keys.

Above-average performances and reliability make Omnia the most complete solution for key cutters and specialists that duplicate these types of keys (also those with long stems).



* Some bit and double bit female keys require the use of optional accessories.

OMNIA - Working Area



Omnia has been designed and manufactured in Italy and is the result of accurate tests.

Wide range of keys that can be cut with standard equipment, varied and tested range of optional accessories available.

Omnia has been designed and manufactured in conformity with CE mark European standards.



OMNIA - Safety



Not only user-friendly, but also **safe**.

Omnia guarantees the **highest standards of safety**.

Safety devices are manifold, **high-quality** and **easy to reach**.



See-through **cover**.

Cutter motor switch-on button located in a comfortable and accessible position.

Microswitch that automatically turns off the cutter while installing the key.

The **QR Code** attached to the machine's side enables you to watch useful tutorial videos directly on your smartphone.

OMNIA - Comfort



User-friendly and intuitive.

Exclusive **spring-loaded tracer point with fast release system.**

Ergonomic and comfortable.

Carriage movement on the left-hand side and radial motion on the right-hand side.



Easily accessible **buttons.**

Ergonomic **handles and levers.**

Exclusive **spring-loaded tracer point with fast release system.**

Carriage movement on the left-hand side and radial motion on the right-hand side (unique feature among these kinds of machines available on the market).

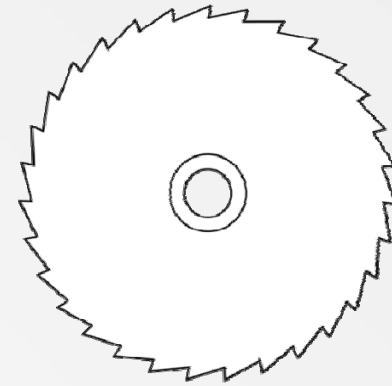
OMNIA - Precision



Excellent key cutting results.

The cutter features a brand new design.

It is **reinforced, long-lasting, TiN-coated** and ensures a perfect vibrations control while cutting.

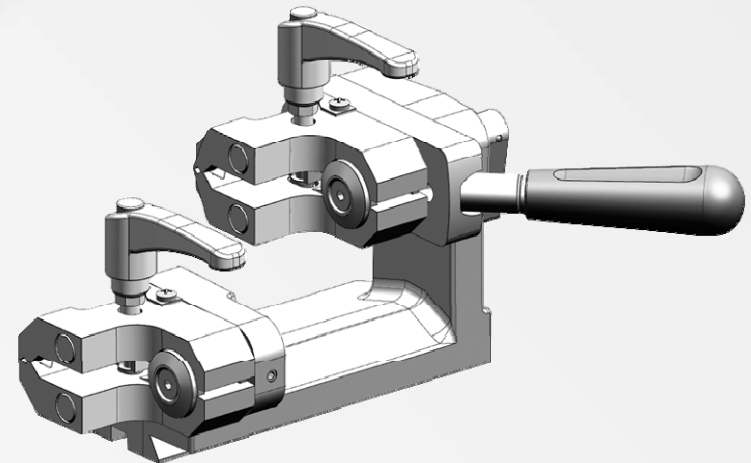


High-quality key cutting results.

The cutter features a new design and is TiN-coated to make it more resistant over time.

Cutter's lateral jaws keep vibrations under control while cutting, ensuring stability of the machine's body and, thus, high-precision key cutting results.

OMNIA - Ergonomic Design



Your work always under control.

Ergonomic and easily accessible
working area.

High-quality clamps to easily install a
wide range of keys.

Compact working area designed to be as ergonomic
as possible.

Simultaneous control thanks to the **clamps which are**
close to each other and have different offset.

Clamps **optimized for key installation.**

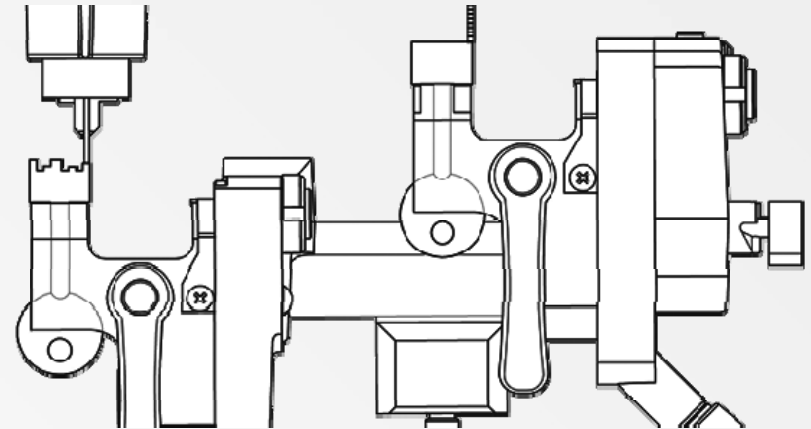
Radial motion clamp without spring.

OMNIA - High-quality Key Cutting Results



Smooth, precise and comfortable carriage movements to duplicate any type of key.

Excellent **pump keys** cutting thanks to the cutter always in axes with the keys.



High-quality key cutting.

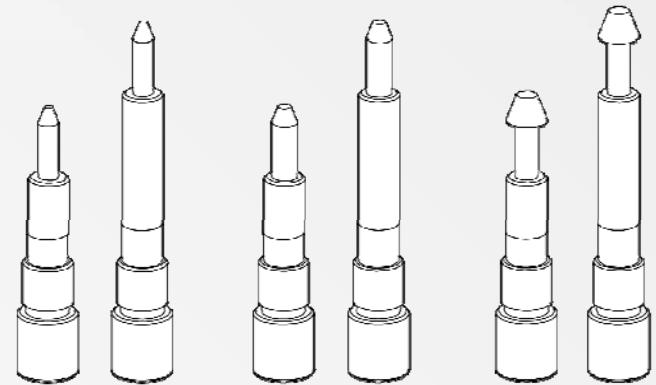
Cross table carriage to ensure smooth movements and above-average key cutting results.

OMNIA - Special Keys



Quick and user-friendly **clamping of long-stemmed and specially-shaped keys.**

Female keys cutting innovation: the entire tailstocks set (optional) is specifically designed to cover the most frequent types of such keys and is conveniently located on top of the machine.



Clamps with different offset to optimize the installation of keys with diverse stem lengths (unique feature among these kinds of machines available on the market).

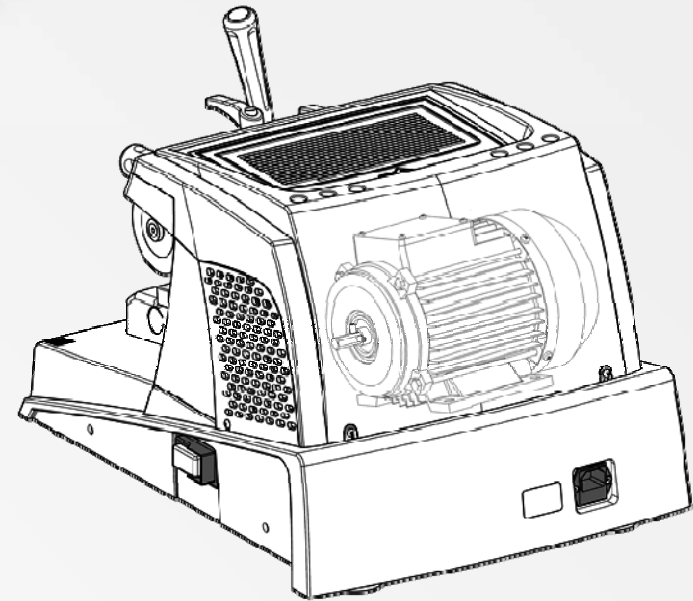
Tailstocks set (optional) dedicated to bit and double bit female keys.

OMNIA - Motor



Single optimized motor speed to cut keys without needing to regulate the machine's speed.

Controlled noise levels thanks to the machine's cover.



Single optimized motor speed.

The machine is entirely covered, the motor and internal components are covered and protected, the motor fan has been removed to ensure reduced noise levels.

OMNIA - Optimized Working Area



Neat and clean working area

Wide and spacious accessories area on top of the machine, easily-accessible and designed to fit even long-stemmed keys.

The **incorporated tool holder** dedicated to female keys tailstocks (optional) guarantees quick identification and immediate finding of the right accessory.



Working with Omnia is more comfortable

Wide and spacious accessories area on top of the machine, easily-accessible and designed to fit even long-stemmed keys.

OMNIA - Innovative Details



Ergonomic design of the machine's components and structural features.

Led lighting to have a complete, bright and diffused illumination of the working area.



Inclined planes to improve the visibility of the working space and to facilitate metal chippings collection directly in the swarf tray.

New long-lasting, energy-efficient **led lighting**.

OMNIA - Technical Data



Technical Data

Motor	Single phase and speed
Power supply	230V - 50Hz
Cutter	TiN-coated HSS (Super Rapid Steel)
Movements	On cross table by ball guides (carriage) and ball socket joint (lever)
Carriage runs	53 mm X axis, 42 mm Y axis
Dimensions	Width: 395 mm Depth: 550 mm Height: 320 mm
Mass	32 Kg

OMNIA



www.silca.biz

© Copyright by Silca S.p.A. 2013 All Rights Reserved

In compliance with current regulations relating to industrial property, we hereby state that the trade-marks or trade names mentioned in this document are the exclusive property of authorized manufacturers of locks and users. Said trade-marks or trade names are nominated only for the purposes of information so that any lock for which our keys are made can be rapidly identified. This document is reserved exclusively for professional key cutters who use Silca products. / All information and illustrations in this document are for guidance only. Silca reserves the right to alter products designs, dimensions or info to improve the products quality. The contents of this document are fully protected by Copyright and may not be copied or reproduced in any form, without written permission from Silca S.p.A. Any controversy shall be settled by the Courts of Justice where the company has its headquarters, with express exclusion of any other court.