



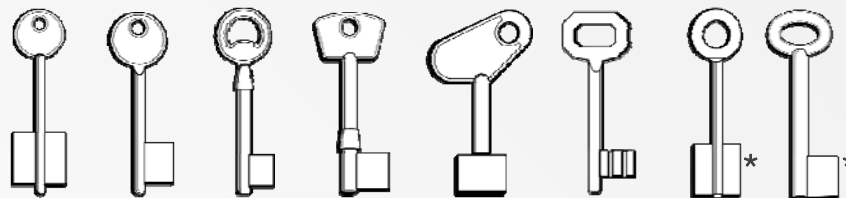
OMNIA  
MAX

# OMNIA MAX



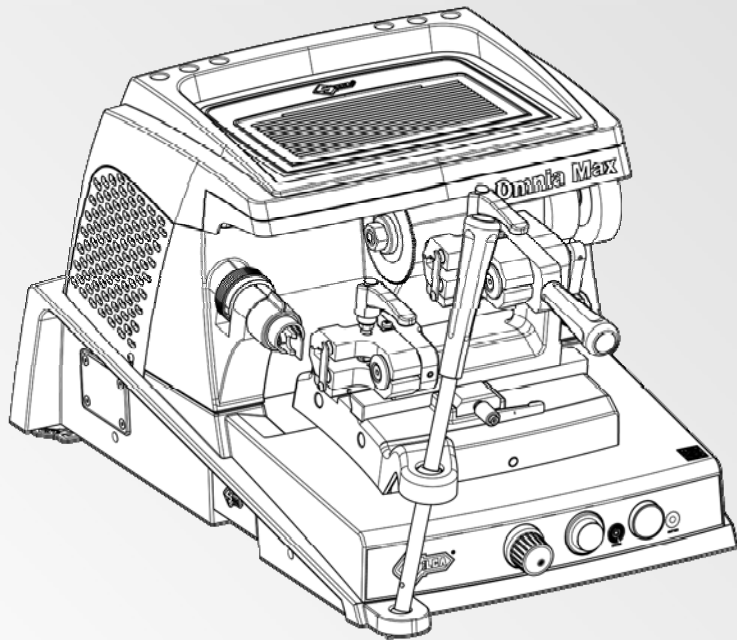
Omnia Max epitomizes Silca's entire experience in duplicating bit and double bit (male and female), pump keys, adaptable gorges keys, central and rear stop keys and keys with vertical cuts.

Above-average performances and reliability make Omnia Max the most complete solution for key cutters and specialists that duplicate these types of keys (also those with long stems).



\* Some bit and double bit female keys require the use of optional accessories.

# OMNIA MAX - Working Area



Omnia Max has been designed and manufactured in Italy and is the result of accurate tests.

Wide range of keys that can be cut with standard equipment, varied and tested range of optional accessories available.

Omnia Max has been designed and manufactured in conformity with CE mark European standards.



# OMNIA MAX - Safety



Not only user-friendly, but also **safe**.

Omnia Max guarantees the **highest standards of safety**.

**Safety devices** are manifold, **high-quality** and **easy to reach**.



See-through **cover**.

**Cutter motor switch-on button** located in a comfortable and accessible position.

**Microswitch that automatically turns off the cutter** while installing the key.

The **QR Code** attached to the machine's side enables you to watch useful tutorial videos directly on your smartphone.

# OMNIA MAX - Comfort



**User-friendly and intuitive.**

Exclusive **spring-loaded tracer point with fast release system.**

**Ergonomic and comfortable.**

**Carriage movement on the left-hand side** and radial motion on the right-hand side.



Easily accessible **buttons.**

Silver chromed **handles and levers.**

Exclusive **spring-loaded tracer point with fast release system.**

**Carriage movement on the left-hand side** and radial motion on the right-hand side (unique feature among these kinds of machines available on the market).

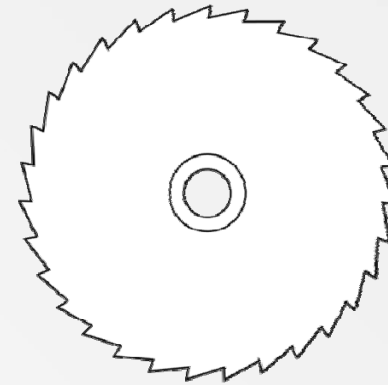
# OMNIA MAX - Precision



**Excellent key cutting results.**

**The cutter** features a brand new design.

It is **reinforced, long-lasting, TiN-coated** and ensures a perfect vibrations control while cutting.

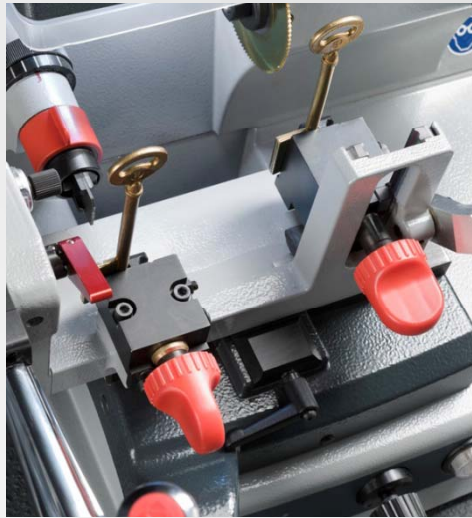


**High-quality key cutting results.**

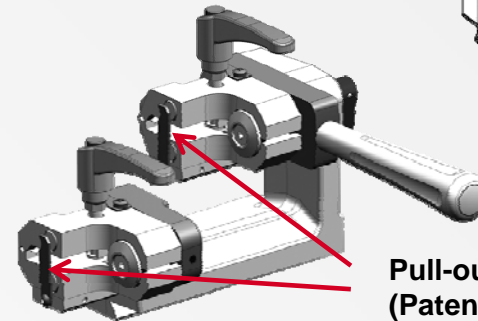
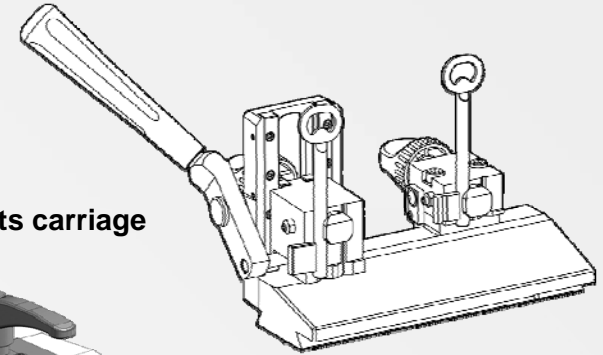
**The cutter features a new design** and is TiN-coated to make it more resistant over time.

**Cutter's lateral jaws** keep vibrations under control while cutting, ensuring stability of the machine's body and, thus, high-precision key cutting results.

# OMNIA MAX - Ergonomic Design



Vertical cuts carriage



Pull-out gauges  
(Patent Pending)

**Your work always under control.**

**Ergonomic and easily accessible**  
working area.

**High-quality clamps** to easily install a  
wide range of keys.

**Vertical cuts** carriage.

**Pull-out gauges for adaptable gorges keys**  
(Patent Pending).

Simultaneous control thanks to the **clamps which are close to each other and have different offset.**

Clamps **optimized for key installation.**

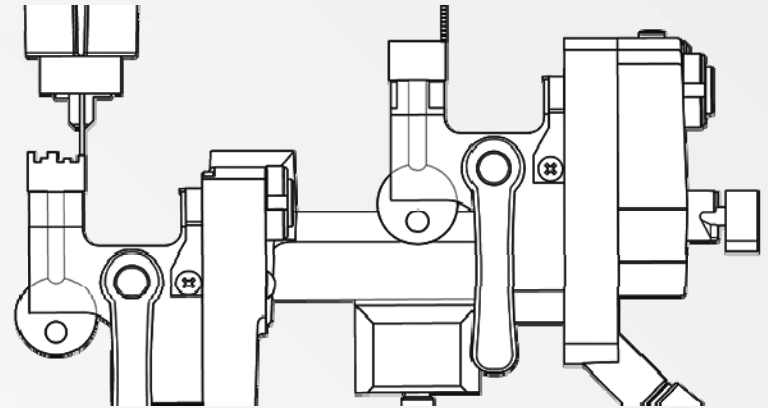
**Radial motion clamp** without spring.

# OMNIA MAX - High-quality Key Cutting Results



**Smooth, precise and comfortable carriage movements** to duplicate any type of key.

Excellent **pump keys** cutting thanks to the cutter always in axes with the keys.

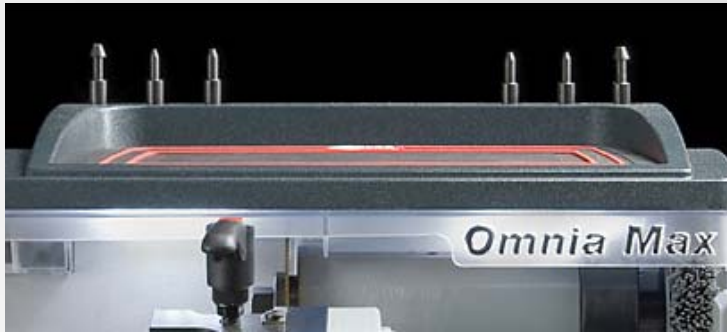


**High-quality key cutting.**

**Cross table carriage** to ensure smooth movements and above-average key cutting results.

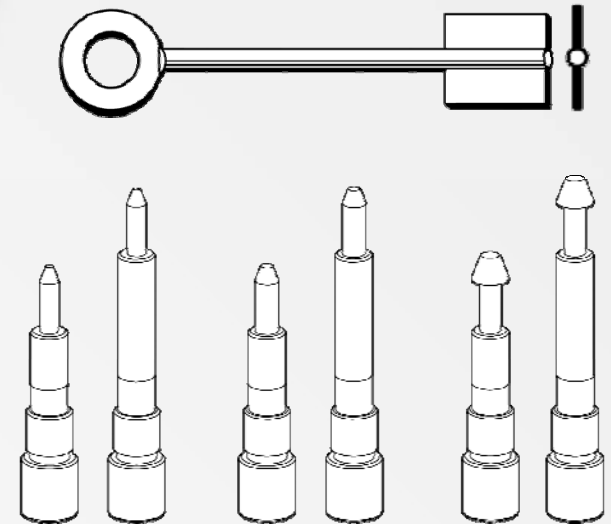


# OMNIA MAX - Special Keys



Quick and user-friendly **clamping of long-stemmed and specially-shaped keys.**

**Female keys cutting innovation:** the entire tailstocks set (optional) is specifically designed to cover the most frequent types of such keys and is conveniently located on top of the machine.



**Clamps with different offset** to optimize the installation of keys with diverse stem lengths (unique feature among these kinds of machines available on the market).

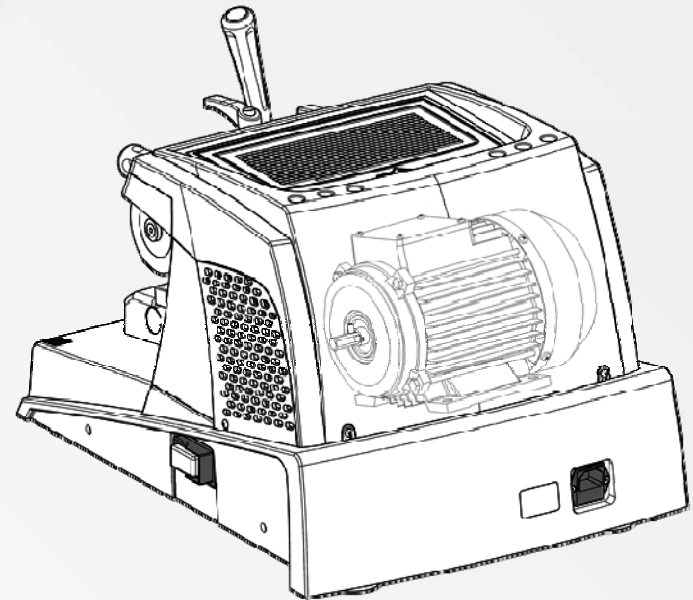
**Tailstocks set** (optional) dedicated to bit and double bit female keys.

# OMNIA MAX - Motor



**Single optimized motor speed** to cut keys without needing to regulate the machine's speed.

**Controlled noise levels** thanks to the machine's cover.



**Single optimized motor speed.**

**The machine is entirely covered**, the motor and internal components are covered and protected, the motor fan has been removed to ensure reduced noise levels.

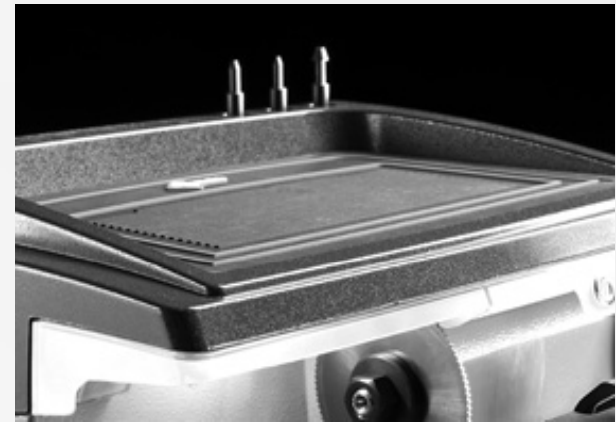
# OMNIA MAX - Optimized Working Area



## Neat and clean working area

**Wide and spacious accessories area** on top of the machine, easily-accessible and designed to fit even long-stemmed keys.

The **incorporated tool holder** dedicated to female keys tailstocks (optional) guarantees quick identification and immediate finding of the right accessory.



## Working with Omnia Max is more comfortable

**Wide and spacious accessories area** on top of the machine, easily-accessible and designed to fit even long-stemmed keys.

# OMNIA MAX - Innovative Details



**Ergonomic design** of the machine's components and structural features.

**Led lighting** to have a complete, bright and diffused illumination of the working area.



**Inclined planes** to improve the visibility of the working space and to facilitate metal chippings collection directly in the swarf tray.

New long-lasting, energy-efficient **led lighting**.

# OMNIA MAX - Technical Data



## Technical Data

<b>Motor</b>	Single phase and speed
<b>Power supply</b>	230V - 50Hz
<b>Cutter</b>	TiN-coated HSS (Super Rapid Steel)
<b>Movements</b>	On cross table by ball guides (carriage) and ball socket joint (lever)
<b>Carriage runs</b>	53 mm X axis, 42 mm Y axis, 50 mm Z axis (for vertical cuts carriage only)
<b>Dimensions</b>	Width: 395 mm Depth: 550 mm Height: 320 mm
<b>Mass</b>	33,5 Kg (with 2 carriages)

# OMNIA MAX



[www.silca.biz](http://www.silca.biz)

© Copyright by Silca S.p.A. 2013 All Rights Reserved

In compliance with current regulations relating to industrial property, we hereby state that the trade-marks or trade names mentioned in this document are the exclusive property of authorized manufacturers of locks and users. Said trade-marks or trade names are nominated only for the purposes of information so that any lock for which our keys are made can be rapidly identified. This document is reserved exclusively for professional key cutters who use Silca products. / All information and illustrations in this document are for guidance only. Silca reserves the right to alter products designs, dimensions or info to improve the products quality. The contents of this document are fully protected by Copyright and may not be copied or reproduced in any form, without written permission from Silca S.p.A. Any controversy shall be settled by the Courts of Justice where the company has its headquarters, with express exclusion of any other court.