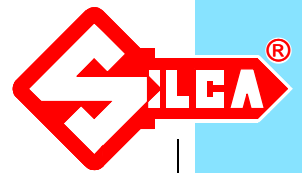


FUTURA PRO AUTOMOTIVE



PER:
FOR:

AUDI (D)
FORD (D)
PORSCHE (D)
SEAT (E)
SKODA (CZ)
VOLKSWAGEN (D)



HU66MH

HU66P

HU66AT5
HU66AT6

HU66EHP

HU66T5
HU66T6

HU66CT5

HU66FH

HU66T10

HU66CT5

HU66T15

HU66DT5

HU66T23

HU66CT6

HU66T26

HU66BT1

HU66T28

HU66BT15

HU75T

HU66TE

HU66BT28

HUF (D) - WITTE (D)

STANDARD



D744023ZB

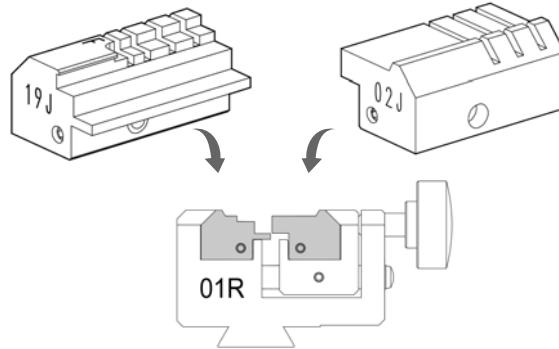
19J Jaw
Ganascia 19J
19J Backe
Mâchoire 19J
Quijada 19J
Garra 19J

STANDARD



D943254ZR

02J Jaw
Ganascia 02J
02J Backe
Mâchoire 02J
Quijada 02J
Garra 02J



STANDARD



D747838ZB

Cutter 01LW
Fresa 01LW
Fräser 01LW
Fraise 01LW
Fresa 01LW
Fresa 01LW

OPTIONAL

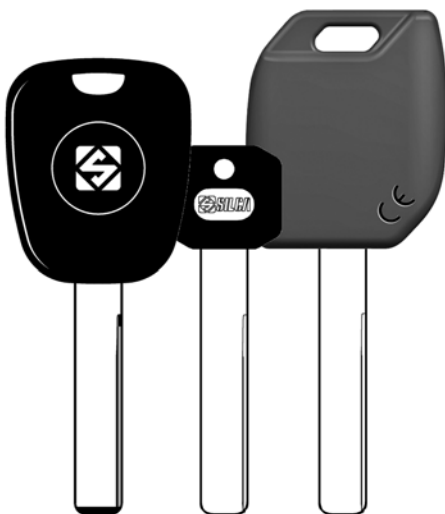


D742606ZB

Cutter 01L
Fresa 01L
Fräser 01L
Fraise 01L
Fresa 01L
Fresa 01L

PER:
FOR:

BMW (D)



HU92RP

HU92RKP

HU92RMH

STANDARD



D943253ZR

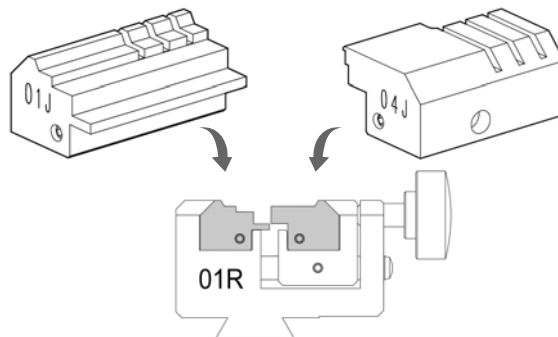
01J Jaw
Ganascia 01J
01J Backe
Mâchoire 01J
Quijada 01J
Garra 01J

STANDARD



D743256ZB

04J Jaw
Ganascia 04J
04J Backe
Mâchoire 04J
Quijada 04J
Garra 04J



STANDARD



D747838ZB

Cutter 01LW
Fresa 01LW
Fräser 01LW
Fraise 01LW
Fresa 01LW
Fresa 01LW

OPTIONAL



D742606ZB

Cutter 01L
Fresa 01L
Fräser 01L
Fraise 01L
Fresa 01L
Fresa 01L



PER:
FOR:

CITROËN (F)

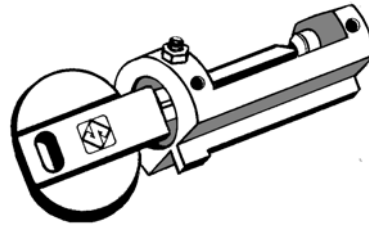
STANDARD



SX9CP SX9GP SX9T14 SX9MH

SX9AP SX10BP SX11BP SX9EHP
SX9T6 SX9TE

VALEO - SIMPLEX (F)

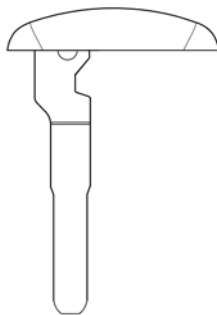


D708040ZB

Code adaptor B6 for SIMPLEX
Adattatore B6 a codice per chiavi SIMPLEX
Code-Adapter B6 für SIMPLEX Schlüssel
Adaptateur B6 à code pour clés SIMPLEX
Adaptador B6 a código para llaves SIMPLEX
Adaptador B6 por código para chaves SIMPLEX

PER:
FOR:

FORD (D)



(Escape model)

STANDARD



D744023ZB

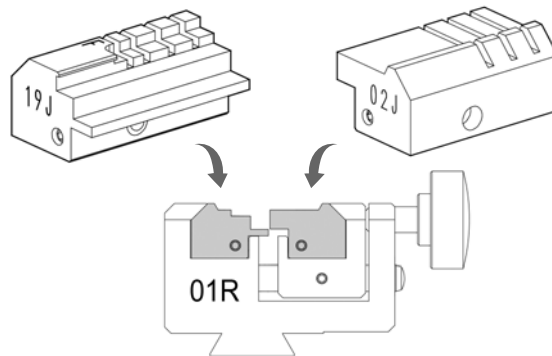
19J Jaw
Ganascia 19J
19J Backe
Mâchoire 19J
Quijada 19J
Garra 19J

STANDARD



D943254ZR

02J Jaw
Ganascia 02J
02J Backe
Mâchoire 02J
Quijada 02J
Garra 02J



STANDARD



D747838ZB

Cutter 01LW
Fresa 01LW
Fräser 01LW
Fraise 01LW
Fresa 01LW
Fresa 01LW

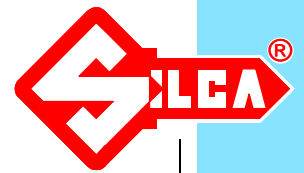
OPTIONAL



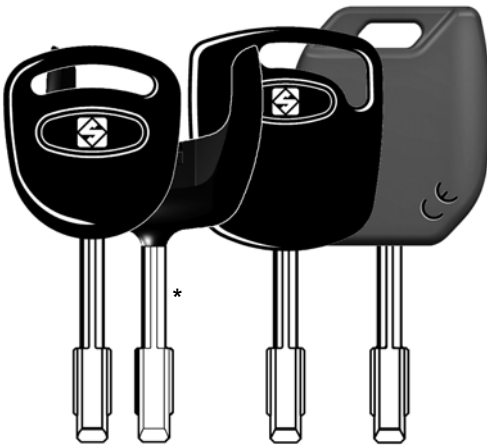
D742606ZB

Cutter 01L
Fresa 01L
Fräser 01L
Fraise 01L
Fresa 01L
Fresa 01L

FUTURA PRO AUTOMOTIVE



PER:
FOR: **FORD (EU+USA)**

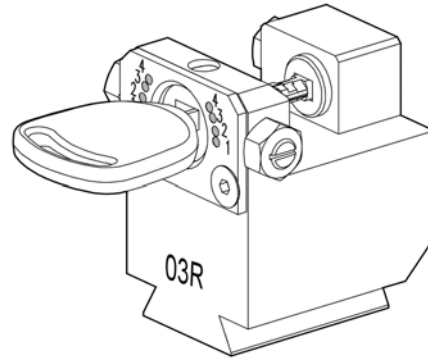


- FO21P FO21AP FO21T3 FO21MH
- FO21EH1 FO21T3M
- FO21EH2 FO21T7
- FO21T17
- FO21TE
- FO21FH

* **IMPORTANT!** Key blank to be applied to the original remote control (the remote control includes the transponder chip)

TIBBE (D)
VALEO (F)

STANDARD



- D743276ZB**
03R Clamp
Morsetto 03R
03R Spannbacke
Etau 03R
Mordaza 03R
Mordente 03R

STANDARD



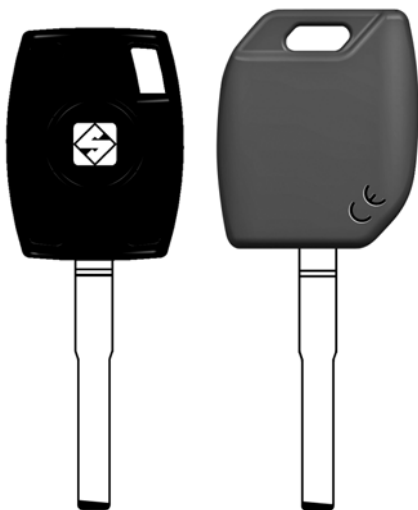
- D747838ZB**
Cutter 01LW
Fresa 01LW
Fräser 01LW
Fraise 01LW
Fresa 01LW
Fresa 01LW

OPTIONAL



- D742606ZB**
Cutter 01L
Fresa 01L
Fräser 01L
Fraise 01L
Fresa 01L
Fresa 01L

PER:
FOR: **HUF (D)**



- HU101T17
- HU101T20
- HU101TE
- HU101T
- HU101AP
- HU101EH
- HU101FH
- HU101MH

STANDARD

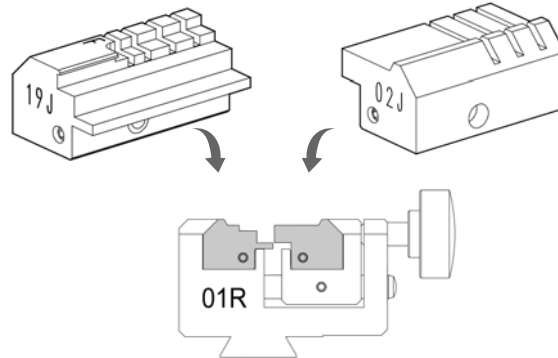


- D744023ZB**
19J Jaw
Ganascia 19J
19J Backe
Mâchoire 19J
Quijada 19J
Garra 19J

STANDARD



- D943254ZR**
02J Jaw
Ganascia 02J
02J Backe
Mâchoire 02J
Quijada 02J
Garra 02J



STANDARD



- D747838ZB**
Cutter 01LW
Fresa 01LW
Fräser 01LW
Fraise 01LW
Fresa 01LW
Fresa 01LW

OPTIONAL



- D742606ZB**
Cutter 01L
Fresa 01L
Fräser 01L
Fraise 01L
Fresa 01L
Fresa 01L



FUTURA PRO AUTOMOTIVE



PER:
FOR:

HUF (D)



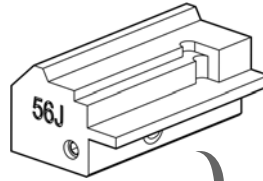
HU162T
(4T - 8W)

VOLKSWAGEN
SKODA

OPTIONAL

D746461ZB

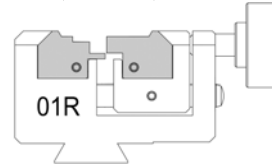
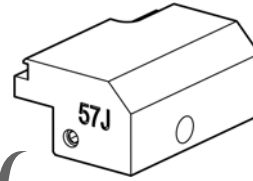
56J Jaw
Ganascia 56J
56J Backe
Mâchoire 56J
Quijada 56J
Garra 56J



OPTIONAL

D746467ZB

57J Jaw
Ganascia 57J
57J Backe
Mâchoire 57J
Quijada 57J
Garra 57J



STANDARD



D747839ZB

Cutter 02LW
Fresa 02LW
Fräser 02LW
Fraise 02LW
Fresa 02LW
Fresa 02LW

OPTIONAL



D743671ZB

Cutter 02L
Fresa 02L
Fräser 02L
Fraise 02L
Fresa 02L
Fresa 02L

PER:
FOR:

MERCEDES (D)



HU41P

HU55P

HU64P

HU61AP

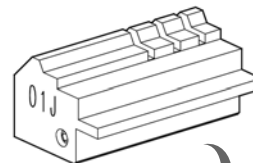
HU64T
HU65AP

HUF (D)

STANDARD

D943253ZR

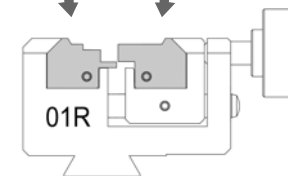
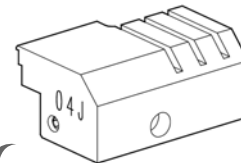
01J Jaw
Ganascia 01J
01J Backe
Mâchoire 01J
Quijada 01J
Garra 01J



STANDARD

D743256ZB

04J Jaw
Ganascia 04J
04J Backe
Mâchoire 04J
Quijada 04J
Garra 04J



STANDARD



D747838ZB

Cutter 01LW
Fresa 01LW
Fräser 01LW
Fraise 01LW
Fresa 01LW
Fresa 01LW

OPTIONAL



D742606ZB

Cutter 01L
Fresa 01L
Fräser 01L
Fraise 01L
Fresa 01L
Fresa 01L



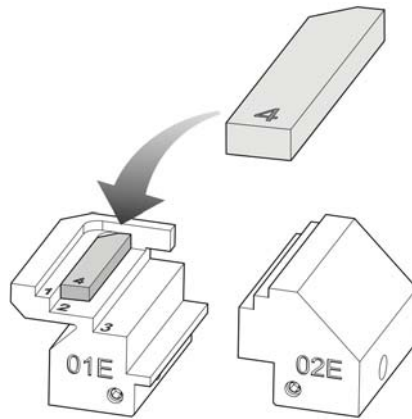
PER: **ENGRAVING**
FOR:



FUTURA PRO AUTOMOTIVE
> SW 3.5.0

FUTURA AUTOMOTIVE
> SW 3.3.0

OPTIONAL



D750763ZB
Adapter plane 4
Adattatore sede 4
Adapter Ebene 4
Adaptateur emplacement 4
Adaptador alojamiento 4
Adaptador alojamiento 4

D748737ZB
01E Jaw
Ganascia 01E
01E Backe
Mâchoire 01E
Quijada 01E
Garra 01E

D748739ZB
02E Jaw
Ganascia 02E
02E Backe
Mâchoire 02E
Quijada 02E
Garra 02E



D748741ZB
Cutter 18DW
Fresa 18DW
Fräser 18DW
Fraise 18DW
Fresa 18DW
Fresa 18DW

PLANE	WIDTH of the object to be engraved	ENGRAVING AREA (max.)
1	min 26 - max 32 mm	32 mm x 40 mm
2	min 20 - max 26 mm	24 mm x 36,5 mm
3	min 8 - max 14 mm	12 mm x 36,5 mm
4	min 14 - max 20 mm	18 mm x 36,5 mm

Thickness of the object to be engraved: max.5,2 mm

