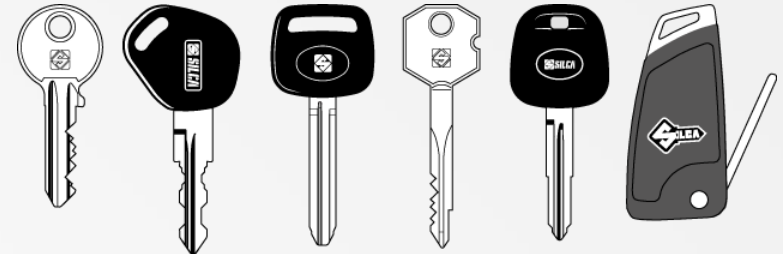




# FLASH 008



Flash 008 is the mechanical key cutting machine for **flat cylinder and vehicle keys**. It cuts also **cruciform keys** and keys with long necks, tip stop and flip mechanisms.



**CE** Flash 008 has been designed and manufactured in conformity with CE mark European standards.

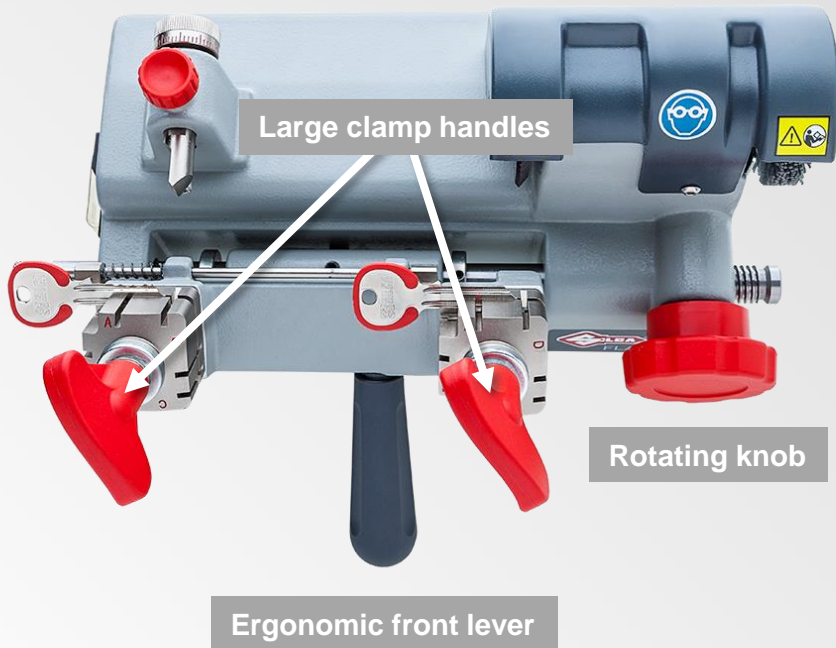
# FLASH 008



## Flash 008 - Plus

- Long-lasting materials and finishes.
- Lightweight and compact, perfect for small shops and mobile use.
- Smooth carriage movements.
- Nickel plated, four-sided clamps with ergonomic handles.
- AlTiN coated cutter for longer life.
- Safe for the user.

# FLASH 008

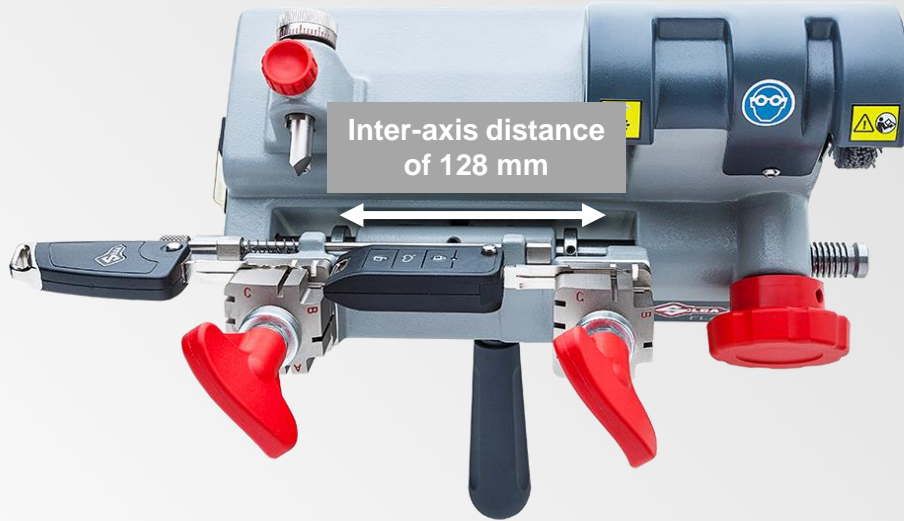


## Smooth carriage movements

- Two large, ergonomic clamp handles tighten with a minimum of force to hold the key securely.
- The space-saving rotating knob ensures precise horizontal movements.
- The carriage can also be easily moved manually using the front lever.



# FLASH 008



## Four-sided clamps mean flexibility of use

- The four-sided clamps allow virtually all flat keys present on the market to be cut, whilst the nickel coating means a longer life.
- The inter-axis distance of 128 mm between the clamps enables keys with longer necks or flip car keys to be easily cut.

# FLASH 008



## Optimized calibration and clamp rotation

- Flash 008 is equipped with a tracer point adjustment system for fast, precise calibration.
- The clamps can be quickly and smoothly rotated without needing to be removed first.

# FLASH 008



AlTiN coated  
cutter

Teflon coated  
bush

## Resistant-to-wear components

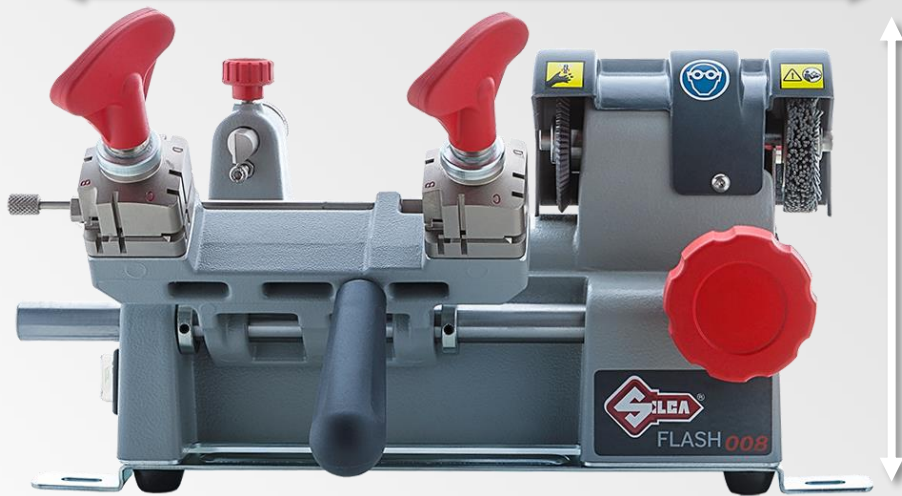
- The cutter is AlTiN (Aluminium Titanium Nitride) coated for longer life\* and oxidation resistance even at temperatures up to 800°C.
- The Teflon-coated bush gives protection to the carriage shaft and guarantees a smoother, quieter movement.

\* AlTiN coated cutting tools typically last between 3 and 10 times longer than uncoated tools.

# FLASH 008



Compact dimensions



Removable fixing bracket

## Space-saving solution for fixed or mobile use

- The fixing bracket, supplied as standard, allows the machine to be secured to the work-bench.
- Flash 008 is lightweight, compact and easily transportable.



# FLASH 008



Brush in tynex



Safety on-off switch

## Safe for the user

- The on-off switch features a safety cut-out for user protection. The machine needs to be manually re-started after a power interruption.
- The de-burring brush in 'tynex' is housed behind the protective shield.

# FLASH 008



## Technical Data

<b>Power supply</b>	230V - 50/60Hz
<b>Cutter motor</b>	single phase and speed
<b>Movements</b>	by rectified carriage shaft and rack
<b>Cutter</b>	AlTiN coated HSS (high speed steel)
<b>Carriage runs</b>	42 mm - 1.65"
<b>Dimensions</b>	width: 310 mm - 12.2" depth: 240 mm - 9.5" height: 220 mm - 8.7"
<b>Weight</b>	6.4 Kg - 14 lbs

# FLASH 008



[www.silca.biz](http://www.silca.biz)

© Copyright by Silca S.p.A. 2016 All Rights Reserved

In compliance with current regulations relating to industrial property, we hereby state that the trade-marks or trade names mentioned in this document are the exclusive property of authorized manufacturers of locks and users. Said trade-marks or trade names are nominated only for the purposes of information so that any lock for which our keys are made can be rapidly identified. This document is reserved exclusively for professional key cutters who use Silca products. / All information and illustrations in this document are for guidance only. Silca reserves the right to alter products designs, dimensions or info to improve the products quality. The contents of this document are fully protected by Copyright and may not be copied or reproduced in any form, without written permission from Silca S.p.A. Any controversy shall be settled by the Courts of Justice where the company has its headquarters, with express exclusion of any other court.